

Rodillos

serie CX 100

Ø 16/20/40/50/50,8/60/63

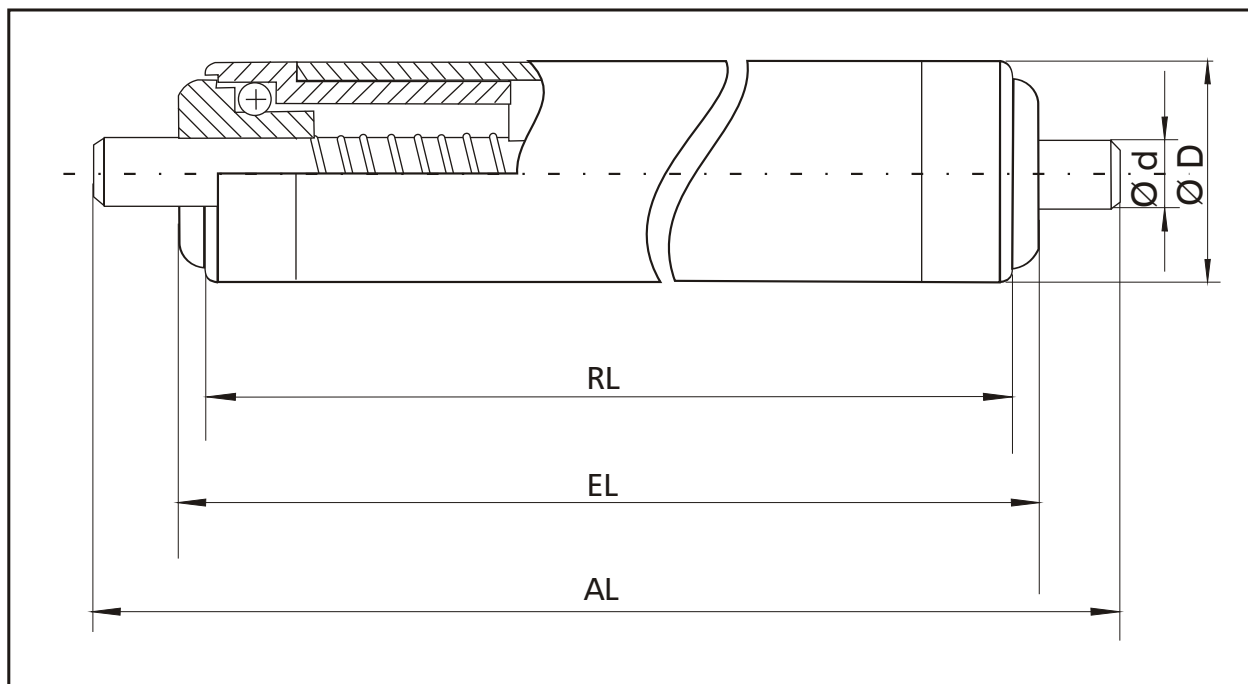
material: PVC/MET/AL/INX

AEDA

● ● ● *Conveyors*



Rodillos serie CX 100



Todos los rodillos llevan doble muelle interior.

| MODELO | Ø D | Ø d | T. EJE | LONG. RODILLO | | AL | | | ACABADO EJE | | | MATERIALES | | |
|--------|------|-----|--------|---------------|--------|---------|---------|---------|-------------|-----|------|----------------|------------|------------------------|
| | | | | RL | EL | L | X | P | L | X | P | TUBO | EJE | RODM |
| CX 100 | 16 | 6 | RETRAC | 100-400 | RL + 2 | RL + 28 | RL + 28 | | Ø06 | M06 | | MET-INX | MET INX | Bolas Libres INX |
| | 20 | 6 | | 100-500 | RL + 4 | RL + 28 | RL + 28 | | Ø06 | M06 | | PVC-MET-INX-AL | | |
| | 30 | 8 | | 100-700 | RL + 4 | RL + 34 | RL + 34 | RL + 34 | Ø08 | M08 | 30x5 | PVC-MET | | |
| | 40 | 8 | | 100-1000 | RL + 6 | RL + 34 | RL + 34 | RL + 34 | Ø08 | M08 | 30x5 | PVC-MET-INX | | |
| | 40 | 10 | | | | | | | Ø10 | M10 | 30x6 | PVC-MET-INX | | |
| | 50 | 8 | | 100-1000 | RL + 6 | RL + 34 | RL + 34 | RL + 34 | Ø08 | M08 | 30x5 | PVC-MET-AL | | |
| | 50 | 10 | | | | | | | Ø10 | M10 | 30x6 | PVC-MET-AL | | |
| | 50,8 | 8 | | 100-1000 | RL + 6 | RL + 34 | RL + 34 | RL + 34 | Ø08 | M08 | 30x5 | INX | | |
| | 50,8 | 10 | | | | | | | Ø10 | M10 | 30x6 | INX | | |
| | 60 | 8 | | 100-1000 | RL + 6 | RL + 34 | RL + 34 | RL + 34 | Ø08 | M08 | 30x5 | MET | | |
| | 60 | 10 | | | | | | | Ø10 | M10 | 30x6 | MET | | |
| | 63 | 8 | | | | | | | Ø08 | M08 | 30x5 | PVC | | |
| | 63 | 10 | | | | | | | Ø10 | M10 | 30x6 | PVC | | |

Acabado eje: L = Retráctil Liso X = Retráctil Rosca Exterior P = Plano