

Curvas

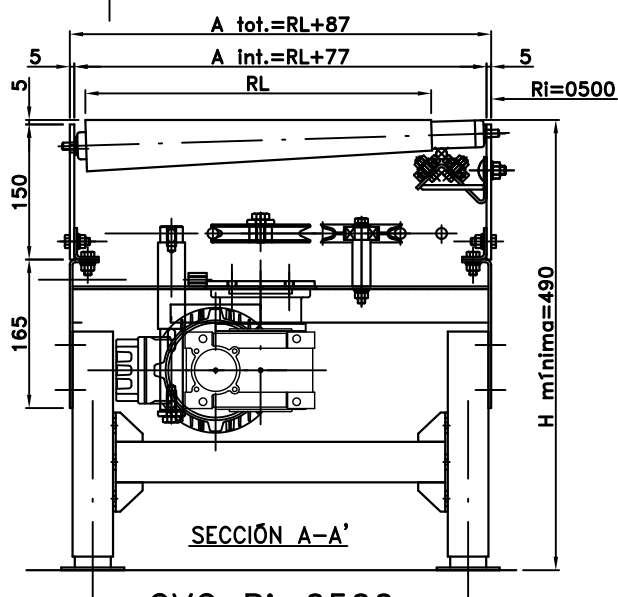
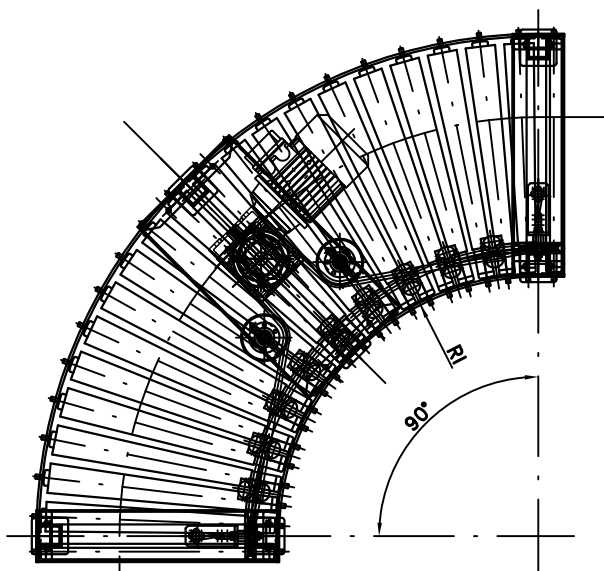
motorizadas de rodillos CVRT
cordón tangencial

AEDA

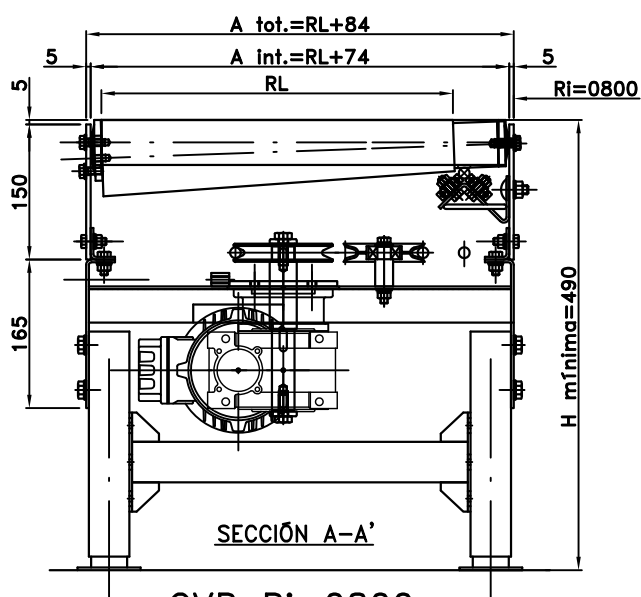
Conveyors



Curvas motorizadas de rodillos con cordón tangencial CVRT



CVC Ri=0500



CVR Ri=0800

CARACTERÍSTICAS CURVAS MOTORIZADAS CORDÓN CVC

| MODELO | RL | Aint | Aext | CHASIS | N° PATAS | | REDUCTOR | | CARACTERÍSTICAS RODILLOS | | | Cant. rodillos | | | | | |
|----------------------|-----|-------|-------|--------|----------|-----|----------|-------|--------------------------|------|------|----------------|-----|--|--|--|--|
| | | | | | 45° | 90° | Kw | M/min | TIPO | ∅int | ∅ext | 45° | 90° | | | | |
| CVC CX630 Ri=0500 | 281 | RL+77 | RL+87 | MET | 2 | 2 | 0.37 | 5 | CX630 | 34 | 51.5 | 9 | 19 | | | | |
| | 380 | | | | | | | | | 34 | 57 | 9 | 19 | | | | |
| | 479 | | | 34 | 64 | 10 | 21 | | | | | | | | | | |
| | 578 | | | 34 | 70 | 10 | 20 | | | | | | | | | | |
| CVC CX650 Ri=0800 | 292 | RL+74 | RL+84 | MET | 2 | 2 | 0.37 | 5 | CX650 | 57 | 70 | 10 | 20 | | | | |
| | 391 | | | | | | | | | 57 | 79 | 9 | 19 | | | | |
| | 490 | | | | | | | | | 57 | 87 | 10 | 21 | | | | |
| | 589 | | | | | | | | | 57 | 93 | 10 | 20 | | | | |
| | 688 | | | 57 | 97 | 9 | 19 | | | | | | | | | | |
| | 787 | | | 57 | 104 | 10 | 20 | | | | | | | | | | |
| | 886 | | | 57 | 110 | 9 | 19 | | | | | | | | | | |
| | 985 | | | 57 | 117 | 9 | 19 | | | | | | | | | | |
| | | | | | | INX | 3 | 3 | | | 40 | | | | | | |